

Pole Wheel removal and replacement**ISSUE 14/01**

For all Pole Wheel replacements ensure the number of teeth on the replacement match the number of teeth on the old Pole Wheel.

For pressed steel types ensure that there is no damage (bending etc) on the installed pole wheel.

Bayonet TypeRemoval

Clean all dust and grit from groove.

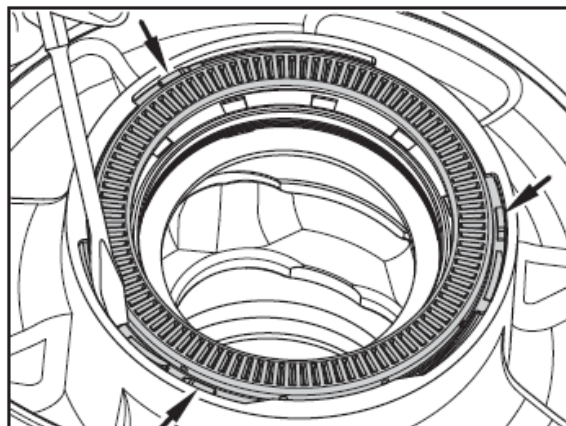
There are 2 retaining clips that need to be pressed down to allow the ring to be removed.

Use the tool **1602022953** to connect with the lugs and turn anti clockwise

Replacement

Lubricate the groove with grease. The locking clips that were bent down to allow removal need to be bent up (if using previously removed disc). Replace the ring. The clips must finish against the square edges as shown in picture.

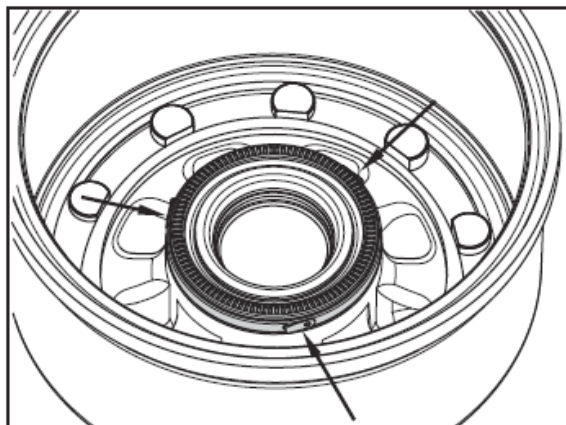
Use the tool **1602022953** against the lugs and turn clockwise till the ring clips in place.

**Clip type**Removal

Gently ease the clips out from the ring and turn slightly away from the holes. Carefully prise the ring off the hub.

Replacement

If using previously removed ring return the clips to their original position and insert the ring onto the hub while rotating slightly. Ensure the clips have entered the groove in the hub and the ring does not move.

**Shrink (solid) type**Removal

To replace a damaged ring. Heat the ring with a large torch (need to quickly heat the ring) and lift off before the heat transfers into the hub.

Replacement

Heat the new ring to 80-120°C and drop onto hub pressing into place ensuring that it is seated completely against the stop. Allow to cool.

