



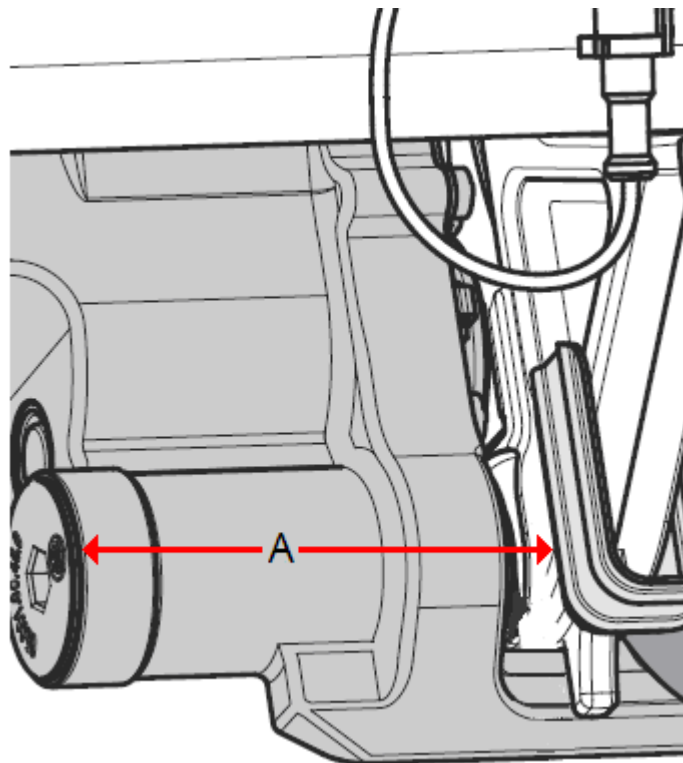
**Transport**  
EFFICIENCY

*"Running Well for You"*

## TECHNICAL BULLETIN

# 12/01

### Quick Check for TSB Brake Pad wear.



A = 76mm for short mounting bush (new condition)

A = 128mm for long mounting bush (new condition)

The dimension is measured from the flat surface of the rotor guard mounting bracket to the end cap of the mounting bolt. The measurement is taken with the caliper moved as far as possible toward the centre of the vehicle.

When the dimension measures greater than 91mm for the short bush or greater than 143mm for the long bush, the wheels must be removed and the brake pads checked directly.

These measurements allow for 15mm of wear on the outer pad.