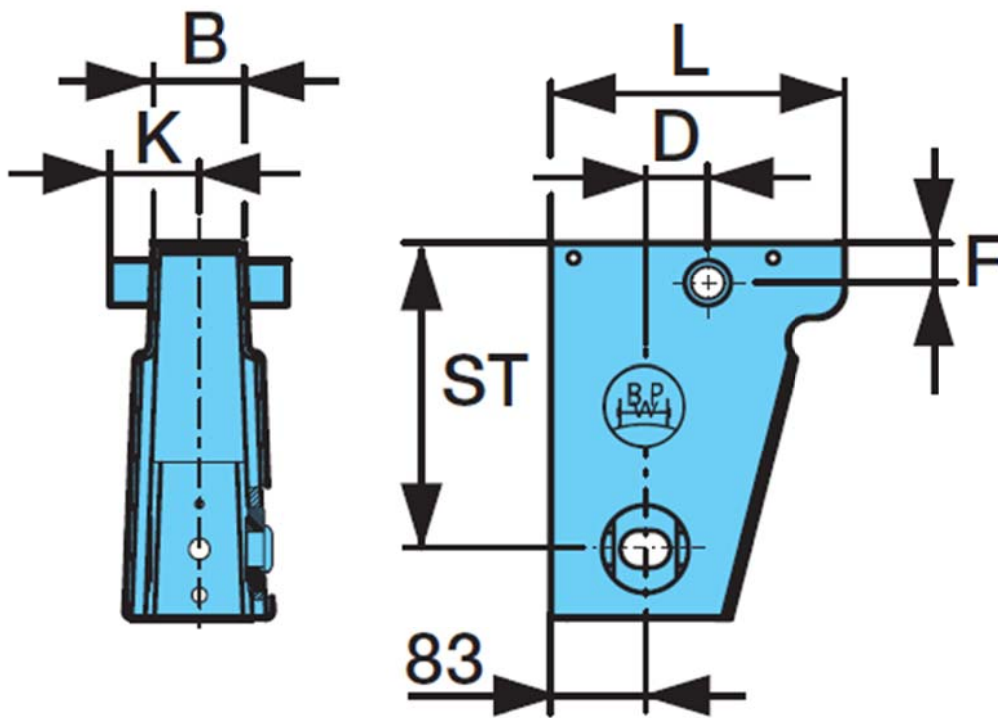


Contents

Page:

2. Hangers
3. Trailing arms
4. Spring eye bolt assembly
5. Shock absorbers and attachments
6. Air bag components
7. Axle attachments - welded
8. Axle attachments - clamped

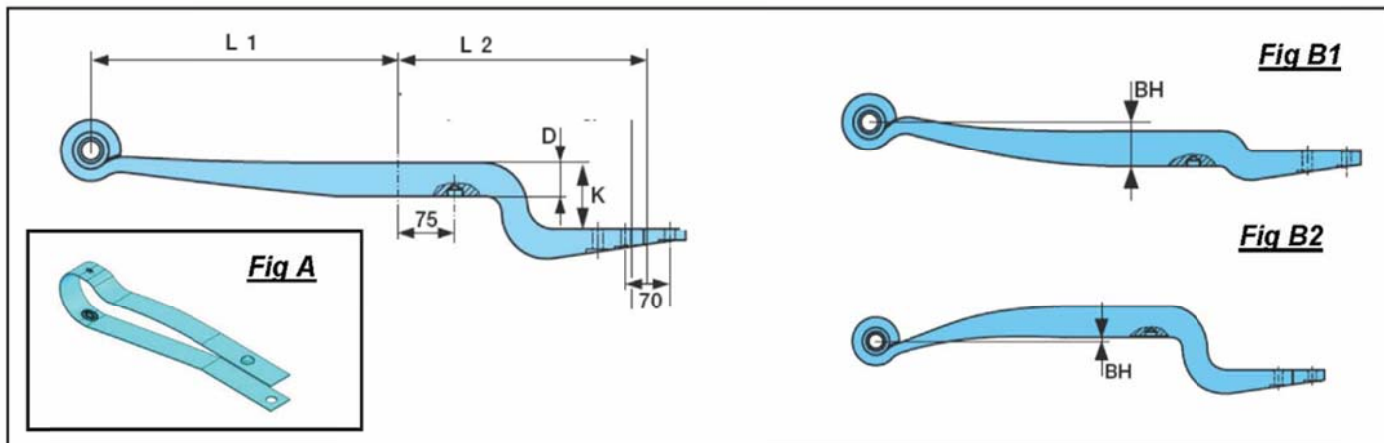
HANGERS



Part no	ST	B	D	F	Shape
0537544328	268	84	90	35	Tapered
0537544318	268	84	150	41	Tapered
0537544210	268	80	55	35	Tapered
0537544220	268	80	90	35	Tapered
0537544230	184	80	70	35	Tapered

When replacing hangers with M30 spring eye bolts, order slotted boss item 1540 page 4

TRAILING ARMS



Part No	Description	Fig.	BH	D	L1	L2	K
0508213952	Trailing Arm	B2	10	62	500	380	110
0534830370	Catch Strap	A					
0508213962	Trailing Arm	B1	80	62	500	380	30
0534830360	Catch Strap	A					
0508214122	Trailing Arm	B2	10	62	500	380	185
0534830490	Catch Strap	A					

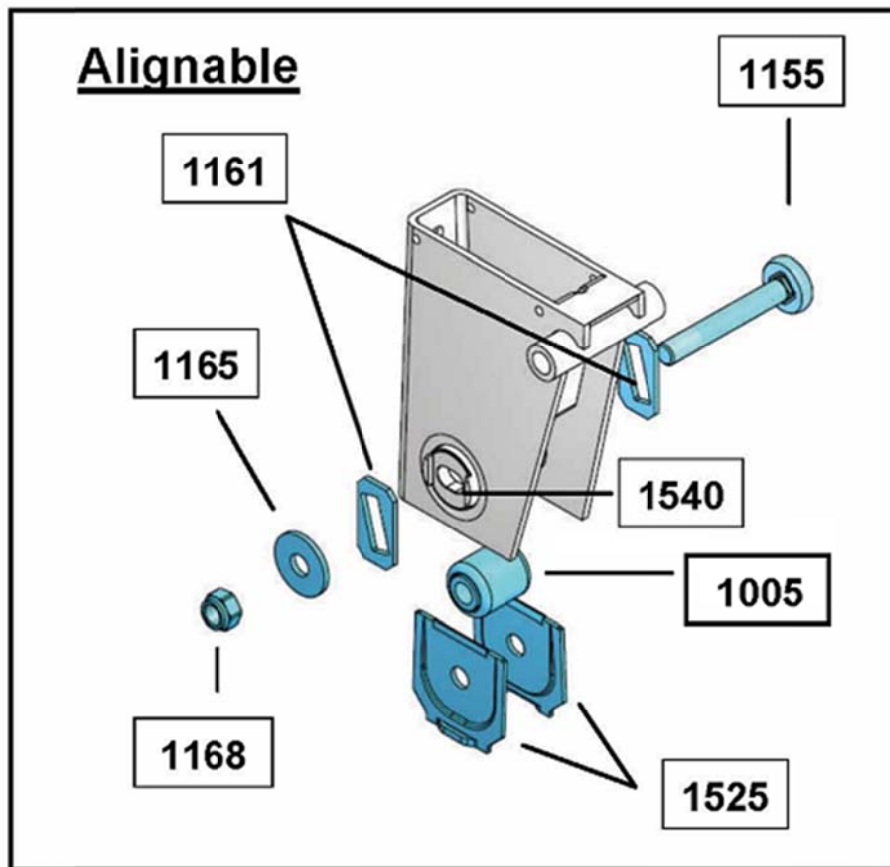
When replacing trailing arms with M30 spring eye bolts, order M30 bush item 1005 page 4

IDENTIFYING REPLACEMENT TRAILING ARM SPRINGS

**The BPW code number is punched into the underside of the tip of the trailing arm
(In the area of the air bag)**

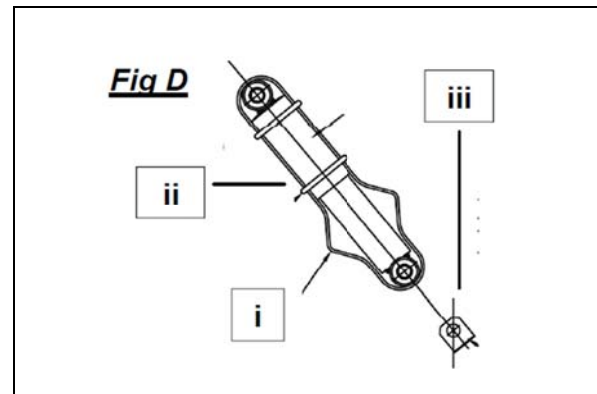
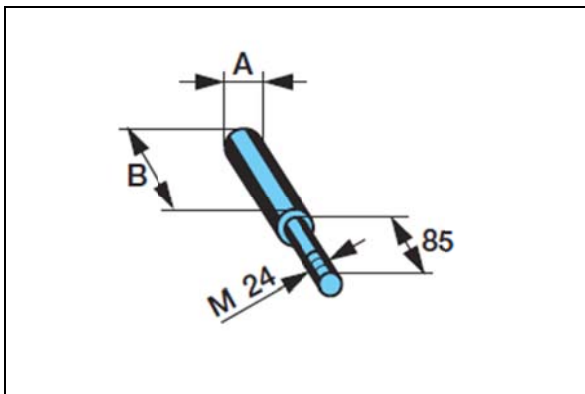
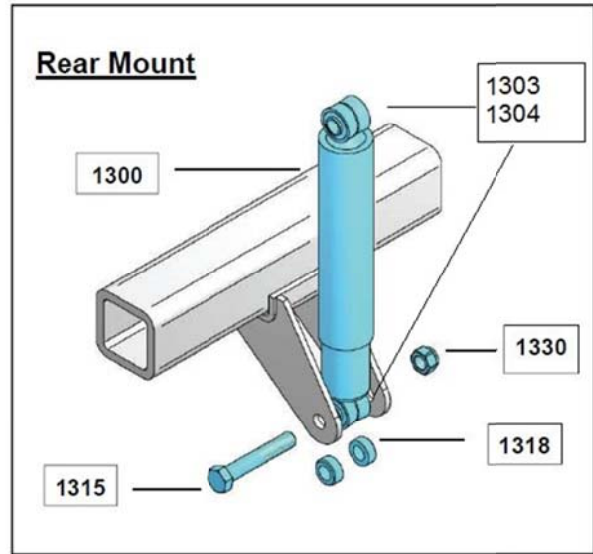
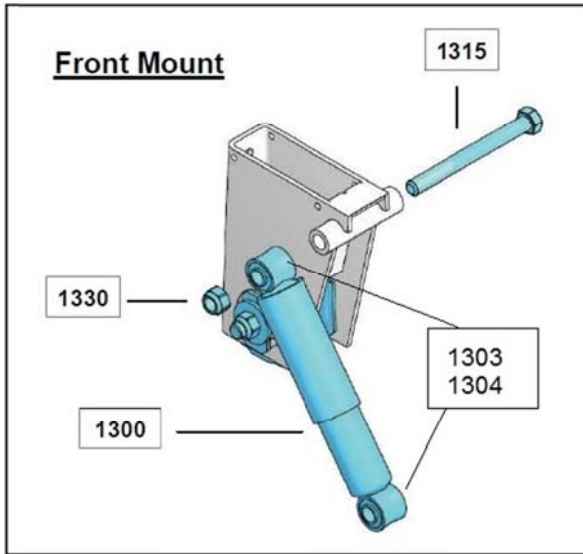
If this code is missing or no longer legible, the type of trailing arm can be determined by taking the measurements referred to in the chart and diagram above

SPRING EYE BOLT ASSEMBLY M24 & M30



Item	Part No M24	Part No M30	Description	Qty per axle
1005	0203142400	0203159800	Steel Rubber Steel Bush	2
1155	0334014200	0334105050	Spring eye bolt M24x166	2
1161	0328144250	0328154180	Alignment plate	4
1165	0326014130	0332034530	Spring eye washer M24	2
1168	0326014130	0326014130	Spring eye nut	2
1540	0311303100	0311323010	Slotted boss	2
1525	0316435030	0316435020	Wear plate	4
Kit	0585700280	0585700180	Items 1155-1525 Bolt kit	2

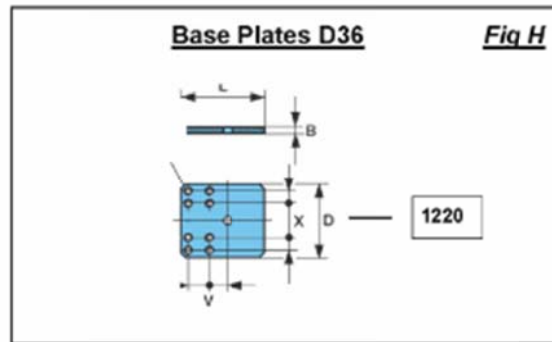
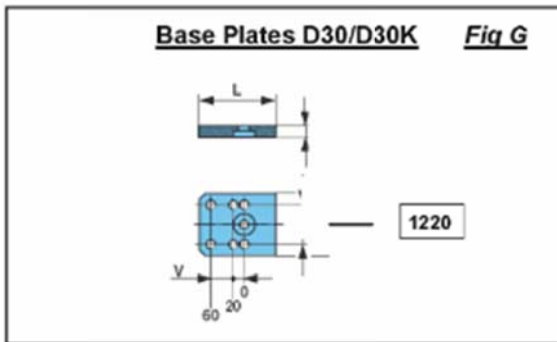
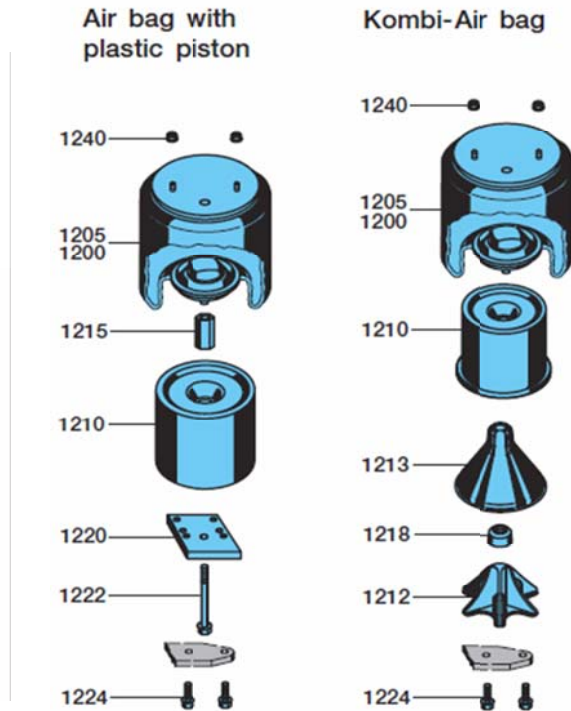
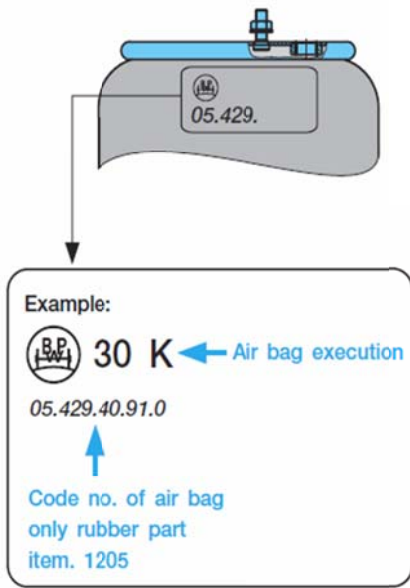
SHOCK ABSORBERS & ATTACHMENTS



Item	Part No	Description	Qty front mount	Qty rear mount
1300	0237228302	Shock absorber 326-496mm	2	
1300	0237021800	Shock absorber 475-800mm		2
1300	0237228902	Shock absorber 292-432mm	2	
1330	0252207412	M24 Lock nut	4	4
1315	0334014190	M24 x 240 Shock mount bolt	2	
1315	0250234980	M24 x 140 Shock mount bolt		2
1318	0331031380	Lower shock spacer		4
1310	0317724210	Shock peg replacement	2	
1303/04	0980108180	Bush & Sleeve repair kit	2	2
FIG D				
i		Webbing sling	2	2
ii	AS0002	Rubber ring retainer	4	4
iii	AS0001	Retaining plate	4	4

The part number for the sling will depend on the suspension. Refer to the tag on the sling or call
BPW Transport Efficiency Ltd

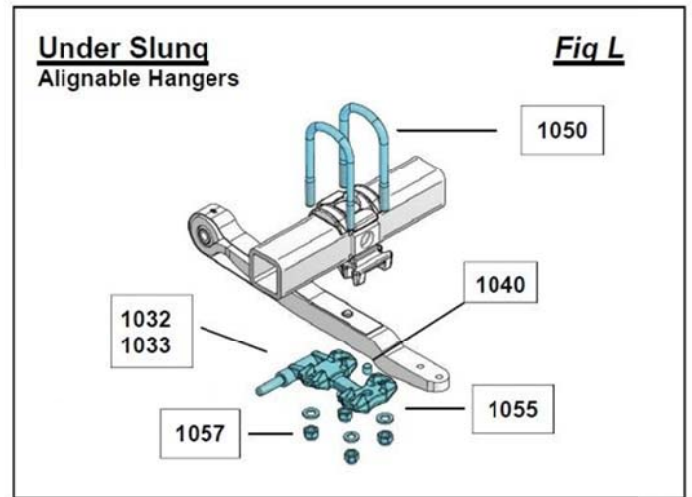
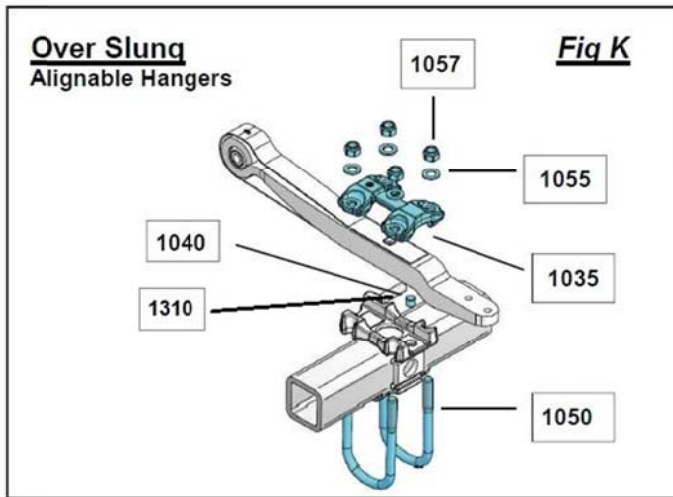
AIR BAG COMPONENTS



Item	Description	D30	D30K	D36	Kombi D30	Kombi D30k
1200	Assembly complete	0542943200	0542943210	0542943510	0542941911	0542942051
1205	Bellows	0542942570	0524942560	0542942260	0542942570	0542942560
1210	Air bag piston	0513939500	0513939510	0513939520	0313900220	0313900250
1212	Centring Cone				0337509370	0337509380
1213	Piston Cone				0313900230	0313900240
1215	Threaded Sleeve	0317903080	0317903080	0317903080		
1218	Nut				0326602020	0326602020
1222	Central Screw	0250709491	0250709491	0250709491		
1224	Locking Screw	0250709500	0250709500	0250709500	0250709500	0250709500
1240	Lock Nut	0252733380	0252733380	0252733380	0252733380	0252733380

Item 1220		V	X	B	D	L
Fig G	Lower plate D30 & D30K	0328095020	0/20/60	70	20	110
Fig H	Lower plate D36	0328095030	45/80	70/120	20	150

AXLE ATTACHMENTS – Welded seats

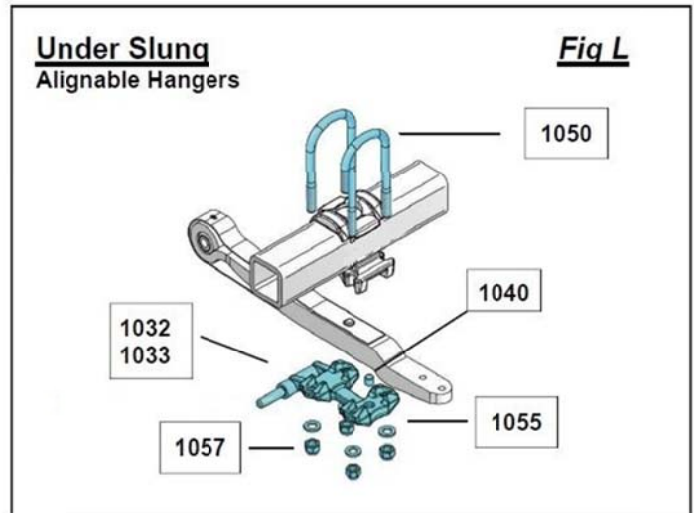
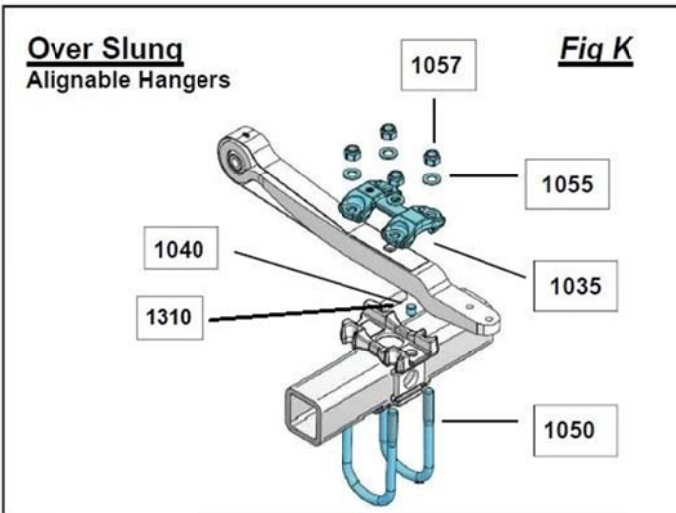


Item	Fig	Part No.	Description	Qty per Axle	Over Slung	Under slung disc	Under slung drum
1310	K,L	0317724210	Shock peg (replacement)	2	✓	✓	✓
1032	L	0514525060	Spring plate RH	1			✓
1032	L	0514522650MTI	Spring plate RH	1		✓	
1033	L	0514525070	Spring plate LH	1			✓
1033	L	0514522640MTI	Spring plate LH	1		✓	
1035	K	0314525050	Spring plate	2	✓		
1040	K,L	0308474430	Dowel	2	✓	✓	✓
1050	K,L	0313841384	U Bolt flat	4	✓	✓	✓
1055	K,L	0254012507	M24 Washer	8	✓	✓	✓
1057	K,L	0252207412	M24 Nut	8	✓	✓	✓

U BOLT STYLE

Style	A	B	C	D
Size A x L	152x285	92x282	92x282	150x257

AXLE ATTACHMENTS - Clamped Seats



Item	Fig	Part Number	Description	Qty Per Axle	DISC BRAKE		DRUM BRAKE	
					Over Slung	Under Slung	Over Slung	Under Slung
1026	K,L	0303222010	Spring Seat - RH 120Sq Axle	2		✓		✓
1026	K	0503222100	Spring Seat - RH 120sq c/w Peg	1	✓		✓	
1027	K	0503222090	Spring Seat - LH 120Sq c/w Peg	1	✓		✓	
1310	K	0317724210	Shock peg (replacement)	2	✓		✓	
1032	K	0314525160 ¹	Spring Plate	2	✓		✓	
1032	K	0314525170 ¹	Spring Plate - Stepped AMT	2	✓		✓	
1032	L	0514522820	Spring Plate - X=270 c/w Peg RH	1		✓		
1032	L	0514522800	Spring Plate - X=170 c/w Peg RH	1				✓
1033	L	0514522830	Spring Plate - X=270 c/w Peg LH	1		✓		
1033	L	0514522810	Spring Plate - X=170 c/w Peg LH	1				✓
1035	K	0334523090	Segment - 120Sq Axle Flat U/Bolts	4	✓		✓	
1035	L	0303221630	Axle Cap - 120Sq Axle U Bolts	2		✓		✓
1035	L	0303221960	Axle Cap - U Bolts TSB	2		✓		✓
1040	K,L	0308474430	Dowel Pin - Trailing Arm to Seat	2	✓	✓	✓	✓
1050	L	0313830074	U Bolt - M22/92x282 Round	B	4		✓	✓
1050	L	0313830194	U Bolt - M22/92x282 Shaped TSB	C	4		✓	✓
1050	K	0313837024	U Bolt - M22/150x289 Flat	D	4	✓		✓
1050	K	0313837094	U Bolt - M22/150x245/265 Flat AMT	D	4	✓		✓
1050	K	0313841334	U Bolt - M24/152x285Flat	A	4	✓		✓
1050	K	0313841384AMT	U Bolt - M24/152x257 Flat AMT	D	4	✓		✓
1055	L	0254012307	Washer - ID 23mm U Bolt	8			✓	✓
1055	K	0331010280 ¹	Washer - ID 23mm U Bolt Conical	8	✓		✓	
1055	K	0254012507	Washer - ID 25mm U Bolt	8	✓		✓	
1057	K,L	0326004190	Lock Nut - M22x2-10 U Bolt	8	✓	✓	✓	✓
1057	K	0326004190	Lock Nut - M24x3-10 U Bolt	8	✓		✓	
			¹ New design use Conical Washer					