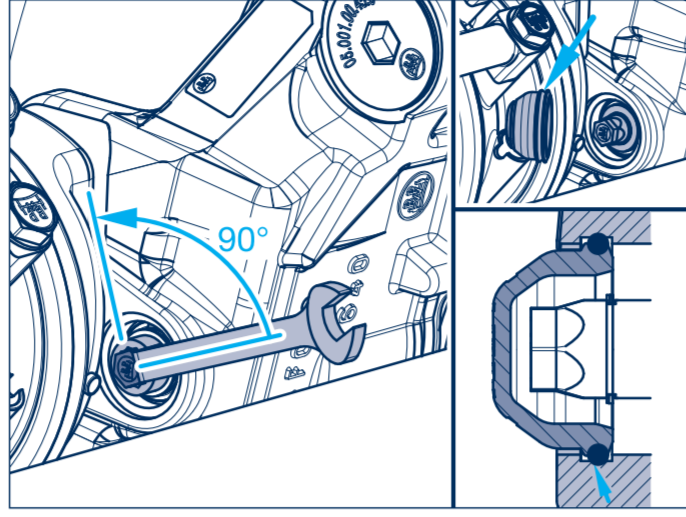


SET PLAY AND CHECK ADJUSTMENT

1. Remove the plug.
2. Turn the resetter with a spanner (AF 13) **90° COUNTERCLOCKWISE.**
3. Actuate the brake 5 to 10 times with a force of approximately 2 bar.
4. Forcefully push the sliding caliper in the axle direction. The play exhibited at this time must be between 0.7 and 1.3 mm. **ADJUSTMENT IS CORRECT IF PLAY IS WITHIN THIS TOLERANCE.**



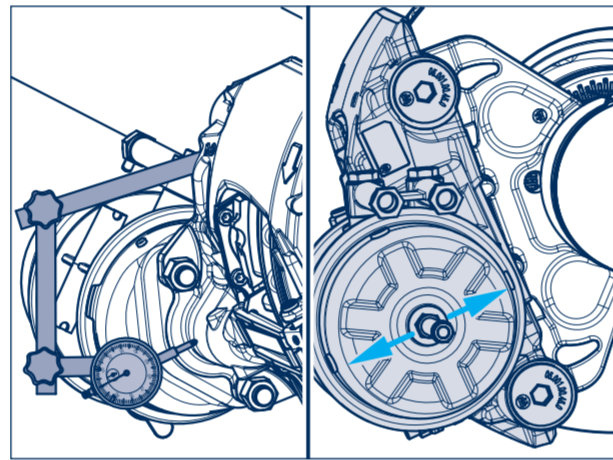
5. Check o ring is correctly fitted to seal cap, apply BPW ECO disc grease (0210406000) to entire face of sealing bush and around the o ring.
6. Squeeze the seal cap with o ring and press it into the brake caliper. Both lamellae of the seal and the o ring must lie inside of the holder in the brake caliper.

CHECK THE CALIPER BEARING PLAY

WE RECOMMEND THIS INSPECTION IS CARRIED OUT EVERY 6 MONTHS

The bearing play of the brake caliper guide pins can be checked using a dial gauge. Attach the dial gauge holder to the axle beam and position the gauge on the brake caliper housing on the brake cylinder holder (see the picture).

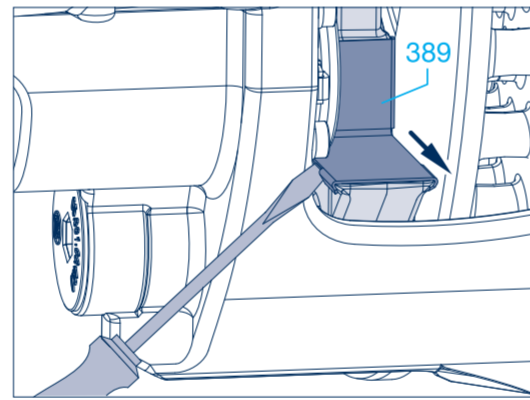
Move the brake caliper from side to side radially from the centre of the axle (see the picture) and measure the total displacement. If the total amount measured on the gauge exceeds 1.0 mm then the caliper guide pins and bushes must be replaced.



WEAR SHIMS

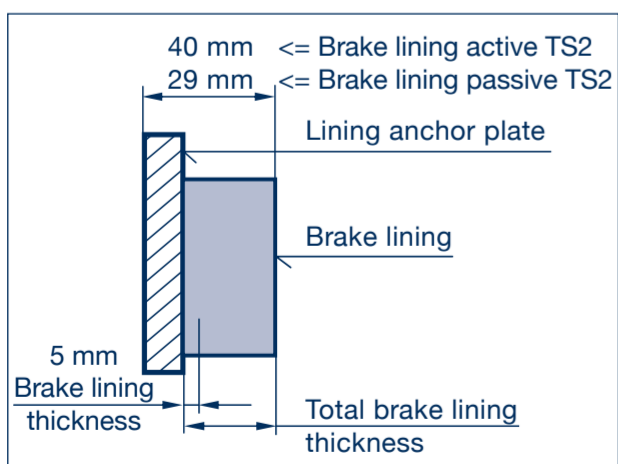
When removing or replacing the brake pads it is important to follow the instruction below.

Remove both wear plates [389] from the brake anchor plate, clean the housing, and insert new wear plates.



BRAKE PAD THICKNESS

The brake pad thickness must be checked every 12 weeks.



The thickness of the remaining pad must **NOT** be less than **5 MM.**

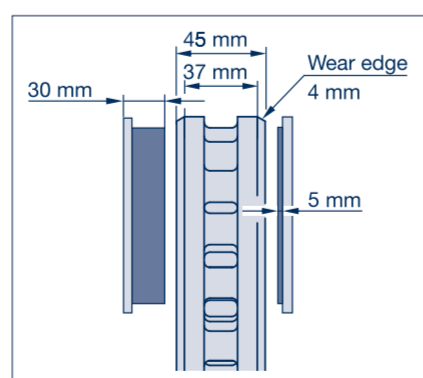
BRAKE DISC CONDITION

All new brake discs are 45 mm thick.

Providing continuous cracks are not apparent, minimum brake disc thickness is 37 mm.

Brake discs should be replaced in pairs. Brake pads should also be replaced when new brake discs are fitted.

If this instruction is not adhered to, there is a danger that braking performance could be seriously reduced.



CHECK THE BELLOW WITH PRESSURE PLATES

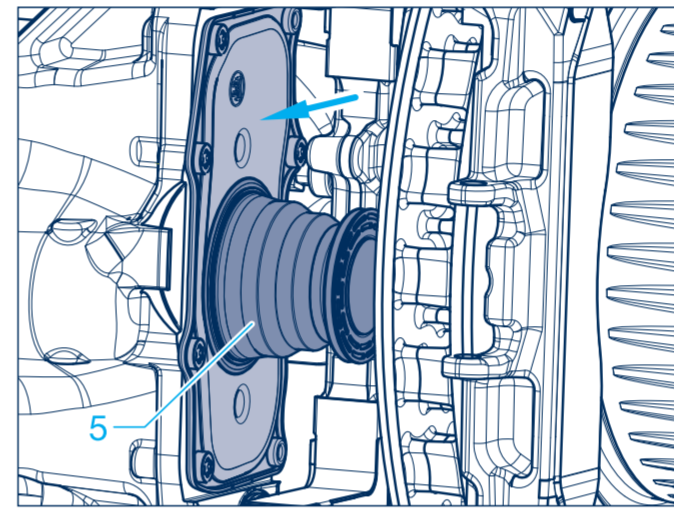
At every brake lining replacement, latest annually in Europe.

Every six months in use outside Europe.

Prevent the vehicle from rolling away.

Release the service and parking brakes.

- See workshop manual ECO Disc TS2 for information on how to remove the brake pads.
- The service brake and spring actuator must be released.
- Pull the pressure plate with heat protection cover and bellow [5] out of the dust cover slightly. Check the complete unit for proper seating and damage; replace it if necessary.
- Check the dust cover (see blue arrow) for deformation. If a deformation is detected, the brake caliper must be replaced.



- If a thermal overloading of the brake has been detected, the bellow with pressure plate [5] must be replaced.
- Before the new bellow with pressure plate is installed, the adjusting unit must be checked for corrosion and ease of movement.

NOTE:

It is recommended that the pressure plate be replaced each time the brake disc is changed.

Refer to the workshop manual ECO Disc TS2 for details on changing the bellow with pressure pads.

NOTE:

The penetration of dirt and moisture causes corrosion and affects the operation of the clamping mechanism and adjustment.

BRAKE PAD EDGE DEGRADATION

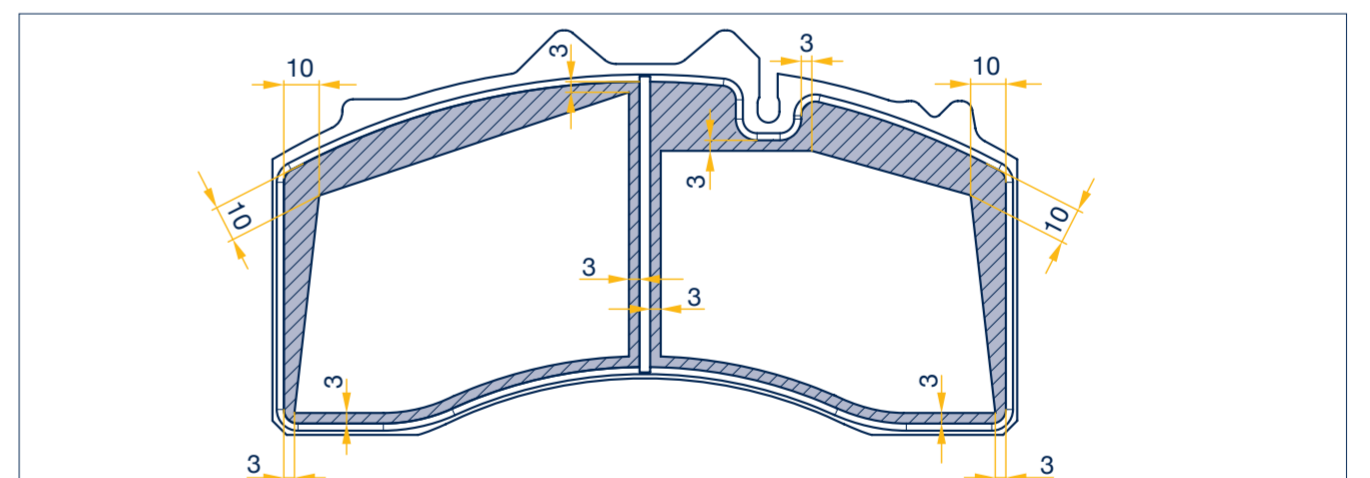
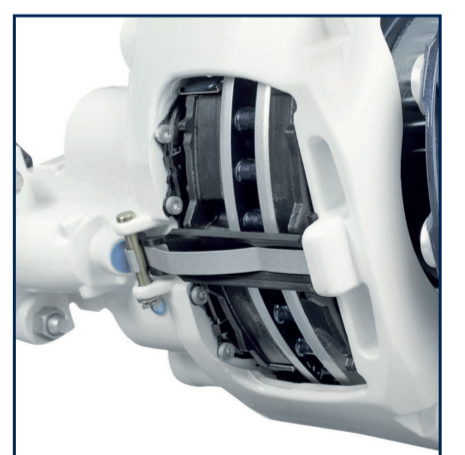


Figure 1: Permissible areas for edge ruptures are marked, but must be no more than 10% of the lining surface.

Some edge degradation on the brake pads is allowable, however the pad must be renewed if this exceeds the limits shown in the diagram (above) or accounts for more than 10% of the pad surface.

Edge degradation can be caused by the 'washing effect' that the front and lower edges of the brake pad are subject to during operation. Where this degradation is considered to be a problem, the effect can be minimised by the fitting of covers.



Covers can be installed during routine servicing or inspection of the disc brakes.

THE MINIMUM WEAR THICKNESS FOR THE BRAKE PAD IS 5 MM.

FOR MORE DETAILED INFORMATION PLEASE REFER TO THE BPW MAINTENANCE MANUAL WHICH IS AVAILABLE TO DOWNLOAD